

TOTEM side table - black



General

Function : Side table
Range : Totem
Designer : Alain van Havre

Specifications

Ref : 10786
Wood : Solid teak
Finishing : Black tinted teak, varnished
Assembly required : No
FSC : No
Made in : Indonesia

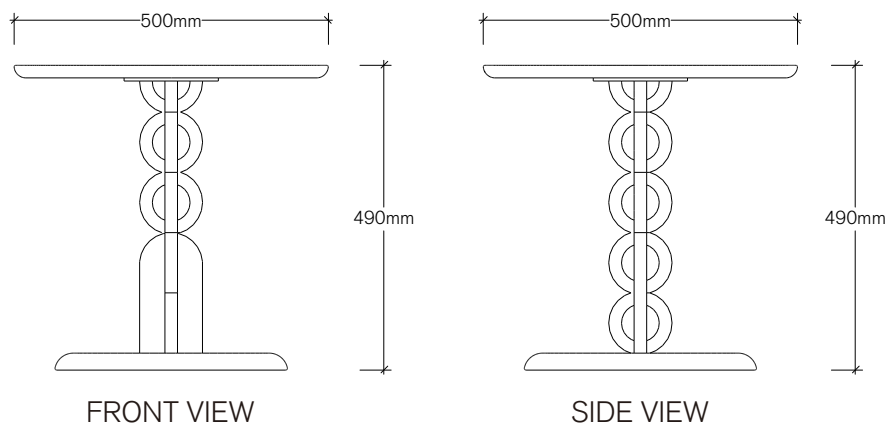
Measurements

Dimension : 50 cm / 50 cm / 49 cm
Weight : 5 kg

Packaging

Box 1 : 54 cm / 54 cm / 52 cm
Weight Box 1 : 8 kg
Volume : 0.152 cbm
PC / Box : 1

Technical Drawing

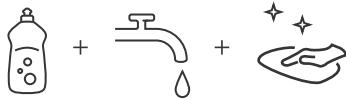


Ethnicraft

Maintenance

Our teak collection comes without a finish, or any kind of protective treatment. The wood is merely polished, allowing the natural oils to rise to the surface. The high density of teak has the advantage that stains stay on the surface and do not penetrate into the wood easily.

For daily care



- For regular dusting, use a dry, non-fluffy cloth.
- For cleaning, use a damp – not too wet – sponge or cloth with a mild solution of water and natural soap (no detergent).
- Frequent cleaning with a natural soap solution will gradually build up a protective layer: as the wood absorbs the soap, it will become more stain repellent.

Preventive treatment



- If you want to protect the wood from the start, give your furniture a protective coating. We recommend Osmo Hardwax Oil, clear mat (3062).
- This finish seals the pores of the timber, forming a natural protection.
- Even then stains and marks should be removed immediately. If the liquid or substance are left to penetrate the wood, the furniture will eventually get stained.
- This product will darken the wood !

Stubborn stains



- Use extra fine sand paper (minimum 320 grit) in the direction of the wood grain.

Lifestyle images

