

Tribeca Chambers



Pendant

Lighting—Product Sheet
menu.us

by Søren Rose Studio



Tribeca Chambers

Product Type

Chandelier

Production Process

The arms and connection parts are made from solid brass or steel rod, the socket is painted ceramic. The brass is not lacquered so the metal will darken and patinate over time.

Environment

Indoor

Dimensions (cm / in)

Ø76:

H: 15 cm / 5 7/8"

Ø: 76 cm / 29,9"

Ø96:

H: 15 cm / 5 7/8"

Ø: 96 cm / 37,8"

Materials

Powder coated steel or solid brass

Colours

Brushed Brass, Black

Voltage (V)

220V

Light source & Energi efficiency class

E27, MAX 60 W, A++, A+, A, B, C, D

Certifications

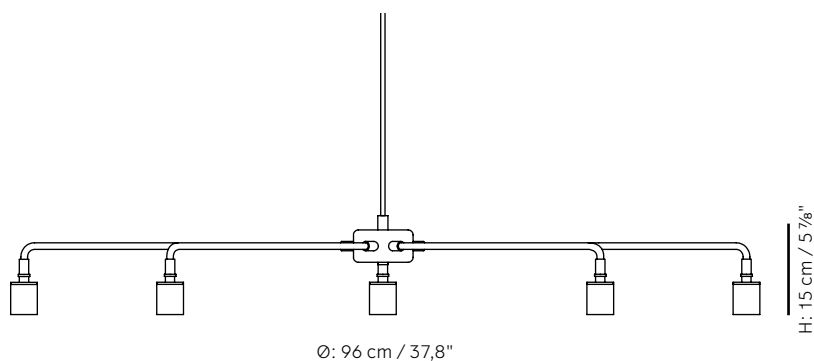
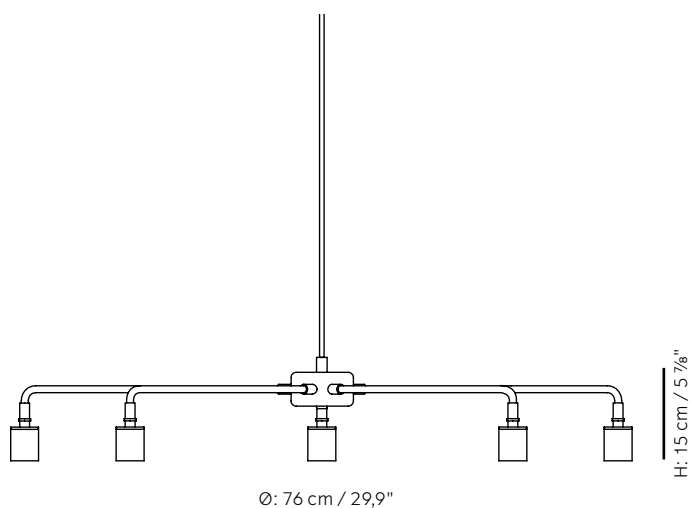
IP20

Cord length / diameter (cm / in)

500 cm / 196 7/8"

Care Instructions

Use a soft dry cloth to clean. Do not use any cleaners with chemicals or harsh abrasives. Avoid using water. The brass will oxidise from the moment it is exposed to air. To maintain a shiny appearance, use a mild metal polish and a soft cloth.



The Tribeca series is a mix of lamps, pendants and chandeliers, all inspired by the New York City glamour of the late 1930s. The name Tribeca refers to a very popular part of New York in lower West Manhattan, the triangle below Canal Street. The various shapes and designs in the Tribeca series were created in an inspiring creative process where Søren Rose travelled the States, searching for beautiful old lamps and reusable parts to create each unique piece. Collister Table Lamp, forms the latest addition to the series, taking inspiration from the Duane pendant.

About the Designer

Søren Rose is a talented Danish entrepreneur and designer with a past in creative direction within the web and photography industries. His dream of having his own studio came true in 2008 and today he lives in New York where he operates the highly popular Søren Rose Studio. The team encompasses an incredible skill set within architecture, product design and manufacturing. They run a flat organisation, meaning, if the junior designer has the best idea, that's what they go with. Worshipping high quality and sustainable materials, the studio approaches their work with both traditional and innovative craftsmanship.

Tribeca Chambers, Ø76



Black
1991539



Brass
1991839

Tribeca Chambers, Ø96



Black
1990539



Brass
1990839