



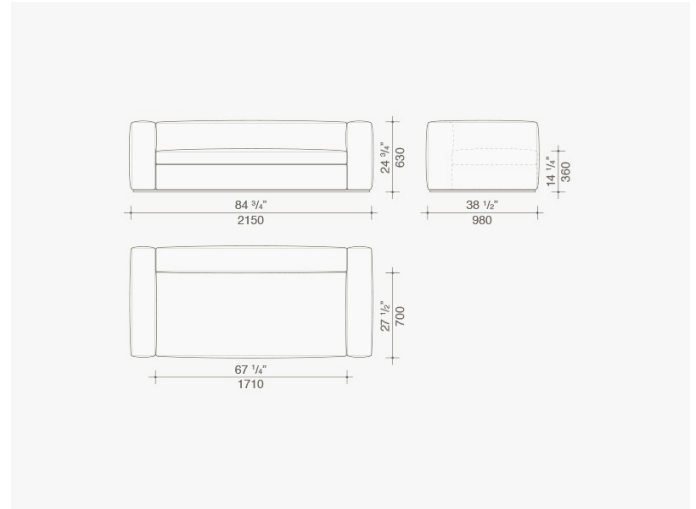
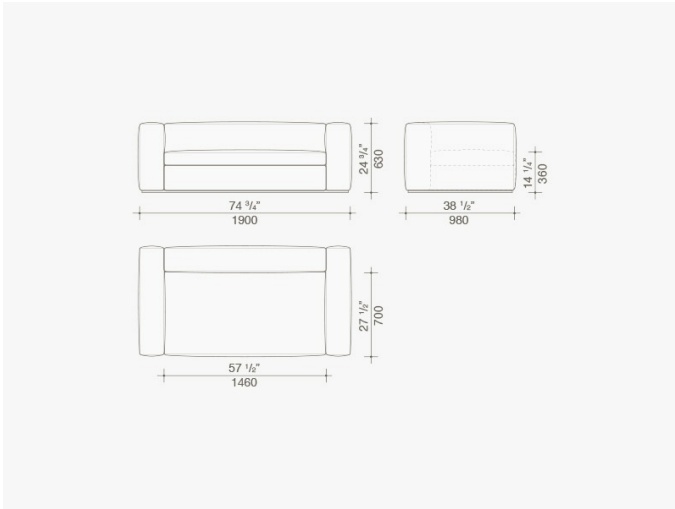
# SNAP

*Design by:*  
Francesco Rota

*Year:*  
2013

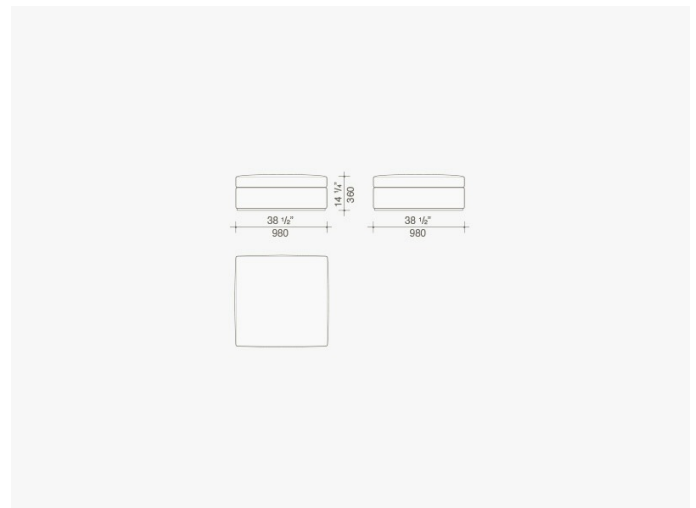
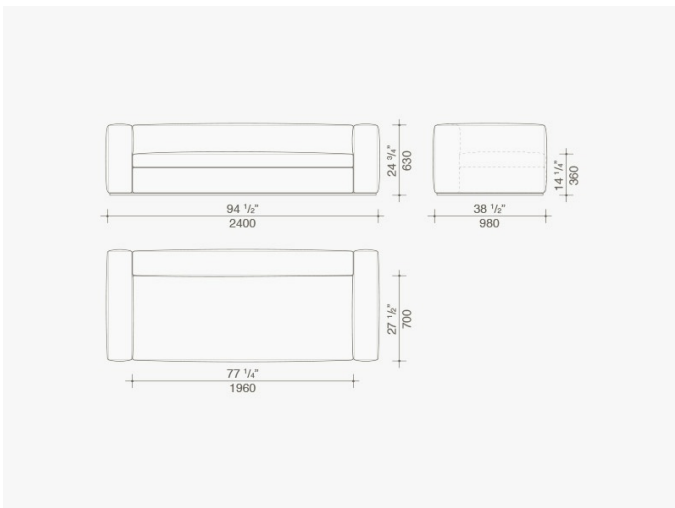
Designed by Francesco Rota, Snap is a floor unit upholstered sofa, for strongly customized solutions, to be used in linear or corner composition, with a chaise lounge, a pouf, seats, terminal and central units as well. The model stands out for its essential lines, its rigorous shapes, the geometrical matching, the unique elegance and ultra-modern proportions, making it the elective choice for comfort thanks to the back panel designed as a cushion, with an extra-feather upholstery. The structure can be raised from the floor thanks to a space or it can be leaning on four chromed or burnished metal L-shaped feet,, as wide as the arm: a detail making the unit design far more precious, a metal detail standing out with a contrast shade between the base unit and the floor.

# TECHNICAL DRAWINGS



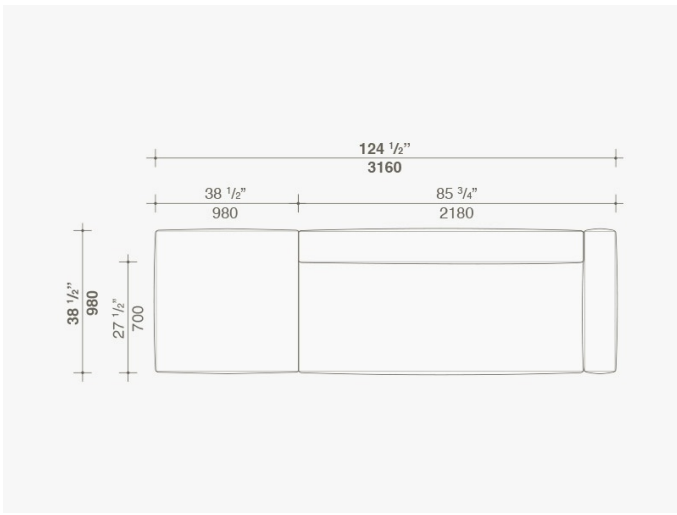
— *snap\_01*

— *snap\_02*

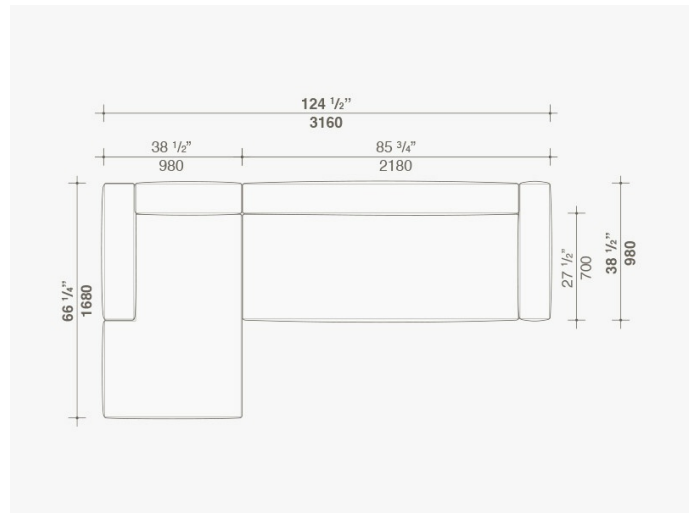


— *snap\_03*

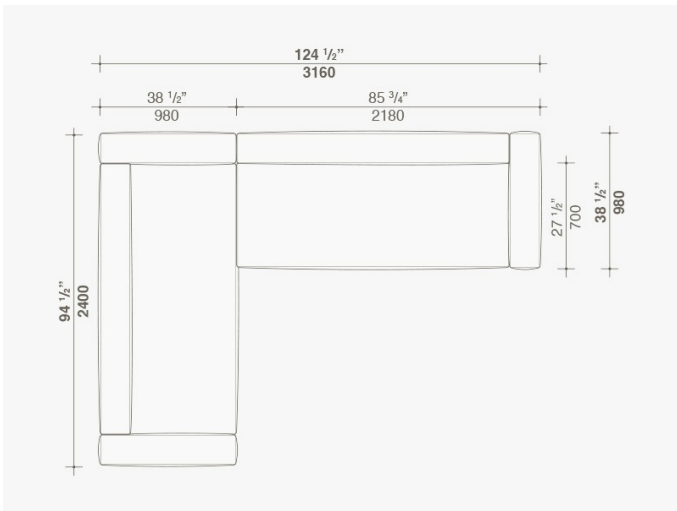
— *snap\_04*



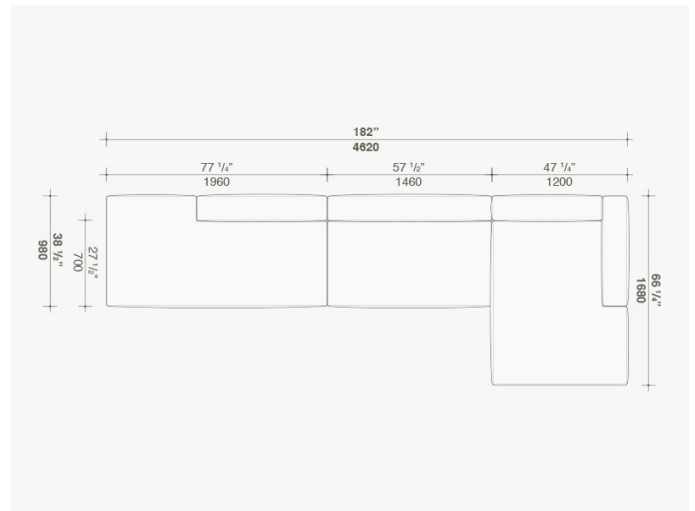
— snap\_05



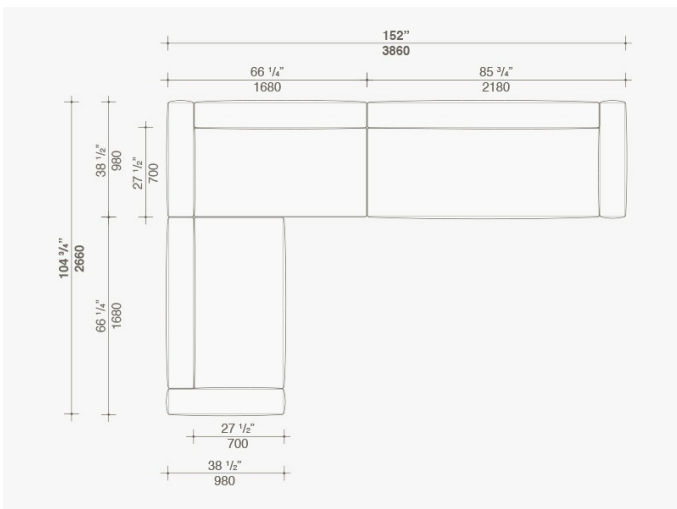
— snap\_06



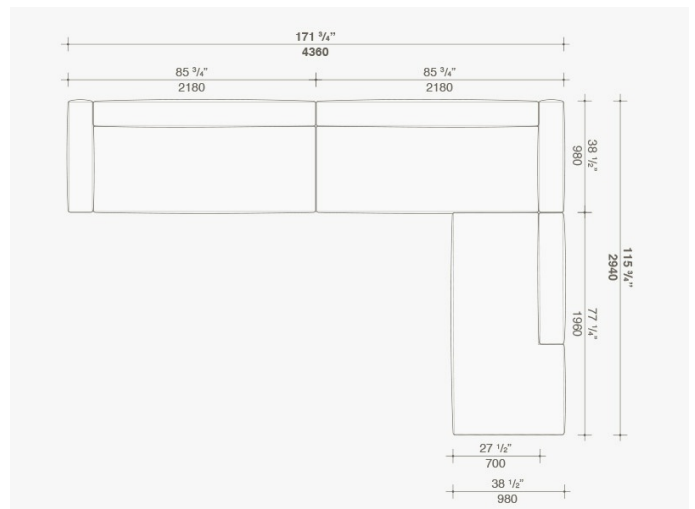
— snap\_07



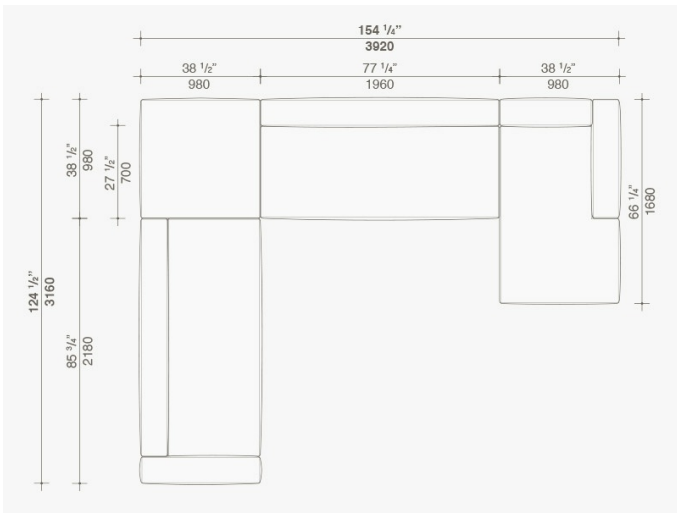
— snap\_08



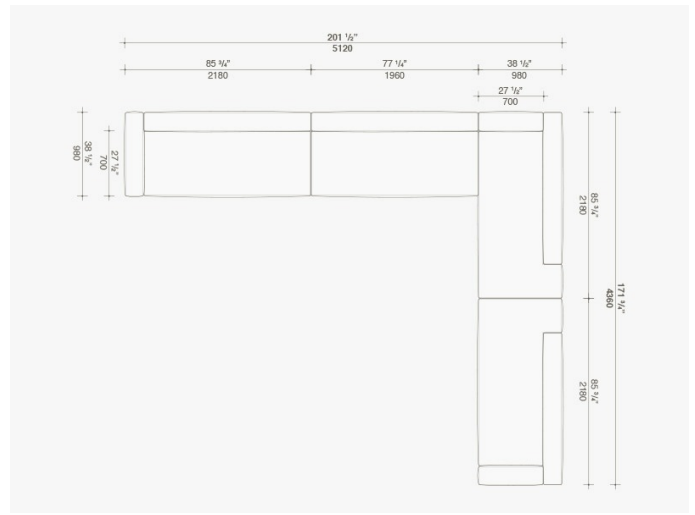
— snap\_09



— snap\_10



— *snap\_11*



— *snap\_12*