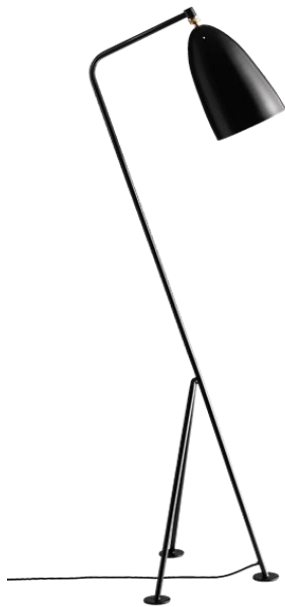


GRÄSHOPPA GM1 // FLOOR LAMP, EU MODEL

GROSSMAN COLLECTION

Designed by Greta Grossman

PRODUCT



Item no.: 005-0110X
+ style code

DESCRIPTION

The iconic Gräshoppa lamp was first produced in 1947. The tubular steel tripod stand is tilted backward whilst the elongated steel conical shade is mounted with a free moving joint in solid brass, consequently the light can be directional, yet the glare is minimal, both stand and shade are powder-coated and are available in 5 colours.

VERSION - GRÄSHOPPA FLOOR LAMP GM1

RAL codes are indicative.

- Fabric wire - Black:
- Warm grey / White inside // RAL 085 60 10 / RAL 9003 // Gloss level 20 / Gloss level 20
- Anthracite grey / White inside // RAL 7016 / RAL 9003 // Gloss level 20 / Gloss level 20
- Blue grey / White inside // RAL 160 60 05 / RAL 9003 // Gloss level 20 / Gloss level 20
- Jet Black / White inside // RAL 9005 / RAL 9003 // Gloss level 20 / Gloss level 20
- Andorra red / White inside // RAL 020 30 20 / RAL 9003 // Gloss level 17 / Gloss level 20

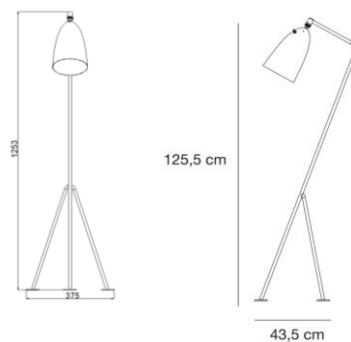
- Fabric wire - White:
- Matt white / White inside // RAL 9003 / RAL 9003 // Gloss level 20 / Gloss level 20
- Vintage red / White inside // RAL 3012 / RAL 9003 // Gloss level 20 / Gloss level 20

VERSION

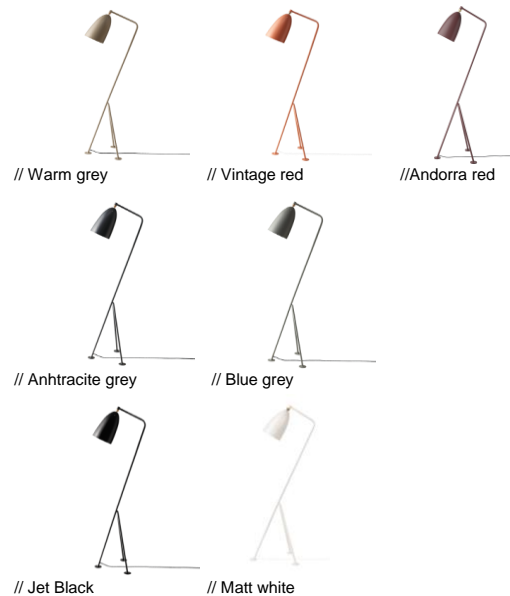
Order item - look for part number in the pricelist.

Series contains the following:

GM1, GM2, GM3



COLOURS



FACTS

MATERIAL

Shade: Powder-coated steel
Stand: Powder-coated steel tube Ø 12,7 mm
Swivel: Solid brass

MEASUREMENT - L X W X H MM

Lamp height: 1253 mm
Lamp stand: 375 X 435 mm
Shade height: 233 mm
Shade diameter: Ø150 mm
Cable length, exposed: APP.2150 mm
Cable length, total: APP.3250 mm

WEIGHT ITEM - LAMP INCL. WIRE

2300 g

PACKAGING TYPE

Cardboard box

PACKAGING MEASUREMENT - L X W X H CM

L:44 X W:44 X H:135 cm

WEIGHT PACKAGING - MATERIAL TYPE (recyclable)

- Delivery note: 10 g
- LD-EPE foam: 90 g
- PE polybag: 190 g
- Cardboard inside: 1260 g
- Cardboard outside, 5ply Corrugated: 4500 g

WEIGHT PACKAGING - TOTAL

8350 g

NUMBER OF PARCELS

1 pcs.

ACCESSORIES

-

ENVIRONMENT

-

TESTS

-

CERTIFICATION AND LABELS

CE-CERTIFIED

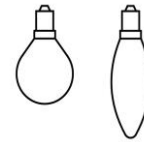
SAFETY INSTRUCTIONS

If the cord or plug is damaged, unplug it from the socket with dry hands. Do not use the lamp until it is

LIGHT SOURCE:

- Socket: E14 base

- Bulb types recommended:



- Recommended light sources:

If LED is chosen, only dimmable versions work.

470 Lumen (~ 40W incandescent ~
30W halogen ~ 4-6W LED)

- Max. light out put for above lamps:

470 Lumen (~ 40W incandescent ~
30W halogen ~ 4-6W LED)

- Best result is achieved with frosted light bulbs
with a CRI (Colour Rendering Index) larger than 90.

- Lightbulb not included.

*Euro plug: Type C, 2 PIN, 2,5 amp

*Euro voltage: 230 V

*Frequency: 50 Hz

*Supply voltage: AC power ~

*Normally Closed: IP20



Class II / Double insulated



CE-Mark



Luminaires accepted for mounting on a flammable base