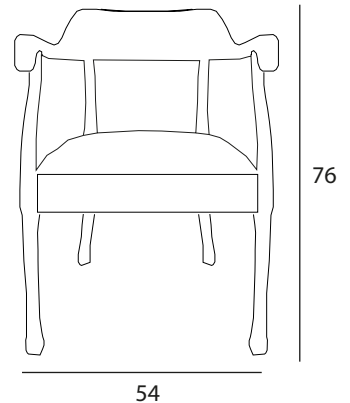


# PRODUCT FACT SHEET

## RAW LOUNGE TABLE FURNITURE / LIGHTING / ACCESSORIES

Jens Fager on the design "RAW is a product family based on rough and intuitive interpretations of iconic every day objects. Every piece is unique because they are all made of a piece of wood carved by hand with a band saw machine. With strong yet iconic look they can easily be placed anywhere in a home, in an office or in a restaurant." Jens Fager on the design.

|                              |   |
|------------------------------|---|
| PROCESS                      | Every Raw chair is hand carved out of solid pine wood and glued together. The surface structure is made by band saw and then painted.   |
| DESIGNED BY / YEAR OF DESIGN | Jens Fager / 2008   |
| TYPE                         | Lounge chair  |
| DESCRIPTION                  | Raw chair is a part of the RAW collection by Swedish designer Jens Fager. The strength of every Raw design is made even more unique as each piece is carved by hand with a band saw.  |
| ENVIRONMENT                  | Indoor  |
| DIMENSIONS (CM)              | Height: 76<br>Width: 54<br>Depth: 51<br>Seat Height: 46   |
| MATERIAL                     | Hand carved pine wood<br>Each piece is unique   |
| COLOUR / REFERENCE CODE      | Dark grey   |
| CLEANING INSTRUCTIONS        | Remove dust from chair with a soft cloth or remove abrasive dust particles. Periodically clean with moist cloth. Dry immediately with soft cloth following wood grains. The wood should not be subjected to excessive heat or humidity. |



|                    |   |
|--------------------|---|
| ABOUT THE DESIGNER | Jens Fager is one of Sweden's most interesting young designers, and although a recent graduate from Konstfack University in Stockholm, he has already made an international impact with exhibitions in London, Milan and Stockholm. |
|--------------------|---|

